

SLIDING DOOR SYSTEMS: INSTALLATION INSTRUCTIONS

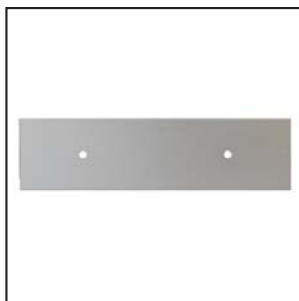
BOTTOM AND TOP TRACK CONNECTOR (S34 + S42)

V2011.1

ACCESSORIES:



1_



2_



3_

1_ **Connector for top track / 90° corner**_ connects top tracks at a 90° corner.

2_ **Connector for top track**_ connects straight top tracks.

3_ **Connector for bottom track**_ connects straight bottom tracks.

INSTALLATION INFORMATION:



1_



2_



3_



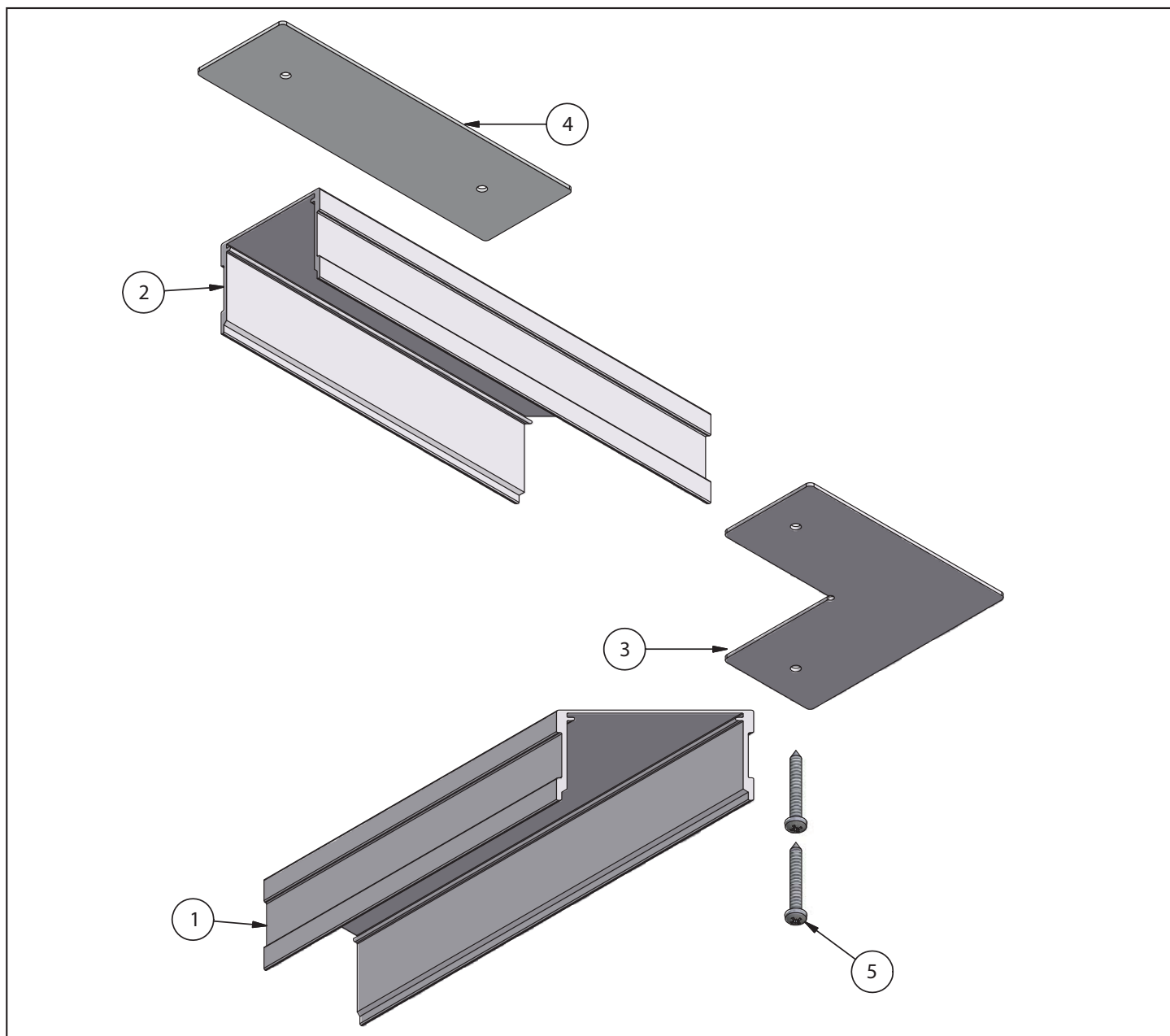
4_

1_ Insert the Connector for top track / 90° corner into a top track that has been miter cut. Then loosely connect it with the second top track that has been miter cut and position everything together on the ceiling. Align the top tracks and the miter cut while checking the abutting edges. Then pre-drill with a 2.5mm bit (Fig. 1) and attach with screws.

2_ Insert the Connector into the top track and connect it to the second top track. Then position it on the ceiling and align edges. Then pre-drill with a 2.5mm bit and attach with screws (Fig. 2).

3_ Insert the Connector into the bottom track and connect it with the second bottom track (Fig. 3 and 4). Align edges. Then attach the bottom track to the floor.

DETAIL DRAWING



OBJECT	QUANTITY	DESCRIPTION
1	1 (varies per order)	Top track (S34 or S42)
2	1 (varies per order)	Top track (S34 or S42)
3	1 (varies per order)	90 Degree corner connector
4	1 (varies per order)	Top track connector (S34 or S42)
5	2 (not provided)	Screw